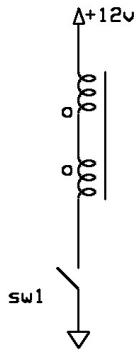
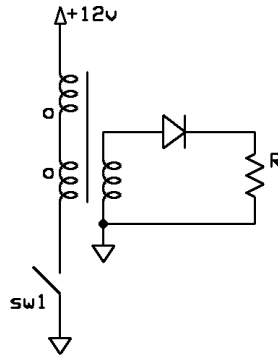


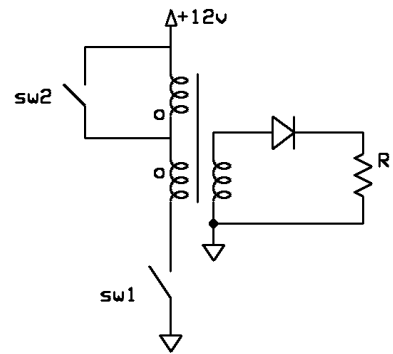
Preliminary tests



Case a



Case b

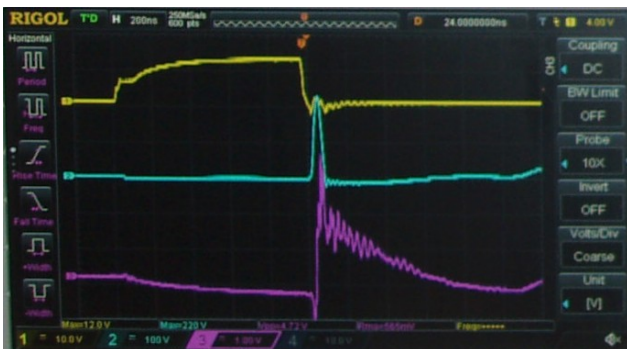


Case c



No load connected, no shorting (a)

Driver pulse
MOSFET drain
current



Load connected, no shorting (b)



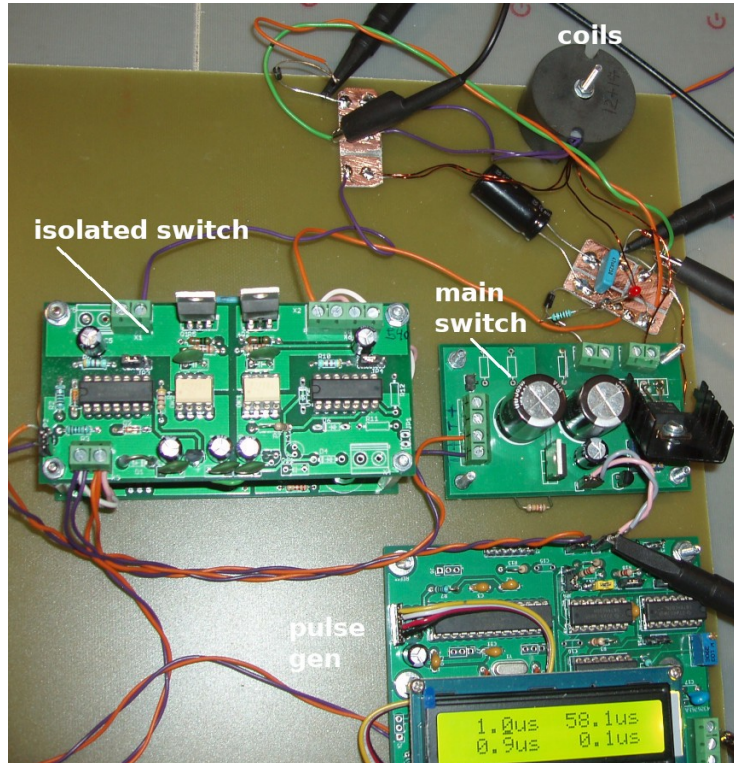
Just to make sure scale of images are same
No shorting
green trace – voltage on pickup coil (before diode)



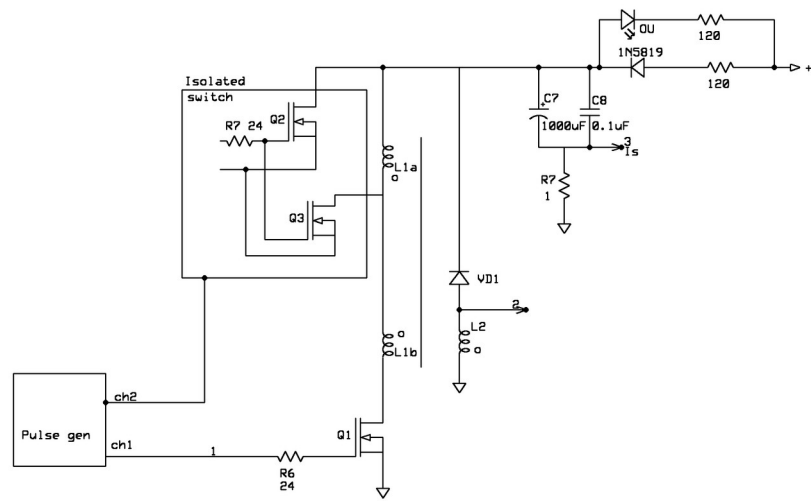
With shorting (c)

quite dramatic effect :)
load resistor here is 10 ohms

“Looping” attempt



test setup



simplified schematic for “looping”



yellow - Driver pulse (1)
 green - Current (3)
 blue – on capacitors +
 magenta – on pickup coil (2)

With some tuning I can light “OU” LED but I can’t reproduce effect on other similar setup.